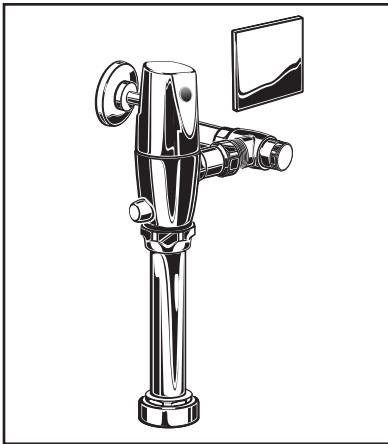


**SELECTRONIC® SENSOR-OPERATED
TOILET FLUSH VALVE
HARD-WIRED AC POWER, BASE MODEL**



GENERAL DESCRIPTION:

Exposed, Sensor Operated Selectronic® Water Closet Flush Valve for floor-mounted or wall-hung 1-1/2" top spud bowls. Inlet includes 1" I.P.S. angle stop with back-flow protection, vandal-resistant cap, sweat solder kit, cover tube and wall flange. Outlet includes 1-1/2" vacuum breaker, spud coupling and flange.

PRODUCT FEATURES:

- Electronic flush valve with Selectronic® proximity system for "Hands Free" operation
- Self-Cleaning Piston operation with integral wiper spring prevents clogging and reduces maintenance
- Piston operation delivers superior flush accuracy and repeatability
- Adjustable tailpiece
- Chemical resistant EPDM seals are unaffected by chloramines and ammonia
- Valve remains closed and does not need to be reset after loss of power or water pressure
- Stadium Feature: Valve automatically switches to water conservation mode during periods of heavy usage
- Fully Mechanical Manual Override Button can flush toilet during a power outage
- Vandal-resistant metal cover plate (for 2-gang electric box supplied by others) with no visible fasteners
- Sensor & electronic controls are fully enclosed and water resistant
- Range can be adjusted manually or by remote control
- Sanitary Flush - Valve automatically flushes after 24 hours of non-use to clean fixture & maintain trap seal
- No external volume adjustment
- 5 second Arming Delay prevents unintentional flushing
- 3-second Flush Delay
- Can be installed left or right-handed

BASE MODEL: (Does Not Include Power Supply)

606B.161 Base Model, 1.6 gpf
For use with Hard-Wired AC or Multi-AC power kits. 11-1/2" rough-in



606B.121 Base Model, 1.28 gpf
SAME AS ABOVE



606B.111 Base Model, 1.1 gpf
SAME AS ABOVE



606B.761 Base Model, Dual Flush 1.6 / 1.1 gpf
SAME AS ABOVE



606B.721 Base Model, Dual Flush 1.28 / 1.1 gpf
SAME AS ABOVE

POWER KITS: (Must be Purchased Separately)

PK00.HAC Hard-Wired AC transformer, 10' extension cable and capacitor module

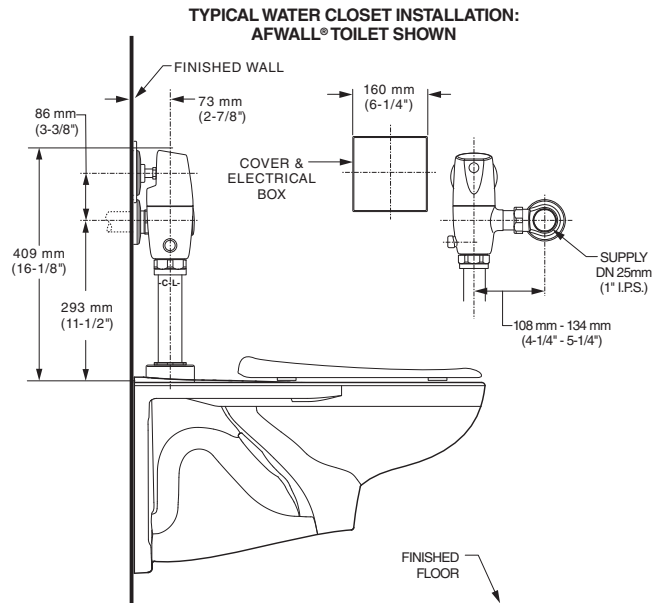
PK00.MAC Multi-AC adapter and 10" extension cable

OPERATING PRESSURE:

25 psi (flowing) - 80 psi (static)

FLOW REQUIREMENT:

25 gpm (94.6 L/min.)



Meets the American Disabilities Act Guidelines and **ANSI A117.1** Requirements for accessible and usable building facilities - check local codes

RECOMMENDED SPECIFICATION:

Electronic proximity infrared sensor activated toilet flush valve shall feature self-cleaning piston valve. Includes a UL listed hard-wired power supply that provides 6 VDC power to run system. Includes a fully mechanical manual over-ride that can provide a complete flush without power. Includes cast brass valve body and metal cover with chrome finish and vandal resistant stop cap. Angle stop with back-flow protection and vacuum breaker included. Flush valve shall be American Standard Model # 606B____.002

LISTINGS:

- ASSE 1037
- ANSI/ASME A112.19.2
- ADA Compliant

Roughing-in Dimensions

